



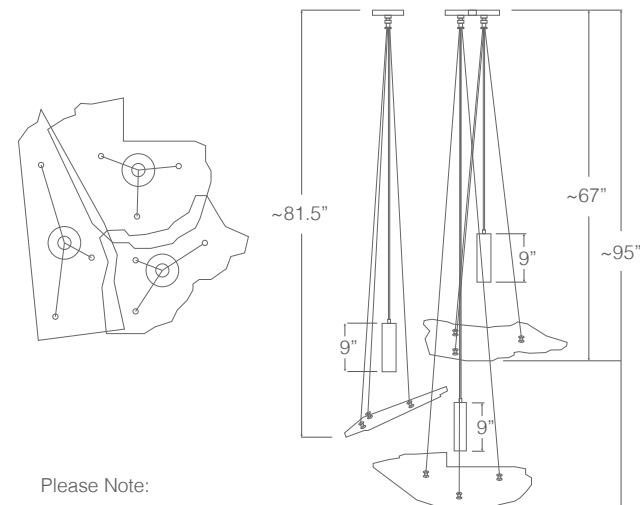
# Unbroken: Chandelier



images 1 & 2 —  
White Onyx, Brushed Aluminum

The Unbroken Chandelier began as a single piece of white onyx stone. Using existing fractures to create breakpoints, this damaged stone was split into three parts and suspended in space, creating form anew. By exposing the natural roughness of the fractures, this work experiments with texture and light, dancing on the edge of chaos and order as it captivates every sensibility.

Stone	White Onyx
Metal	Brushed Brass, Blackened Brass, Brushed Aluminum, Brushed Nickel
Dimensions	48"W × 48"D × 80"H



Please Note:

- Heights are Adjustable
- Parts are Configurable in Alternate Configurations